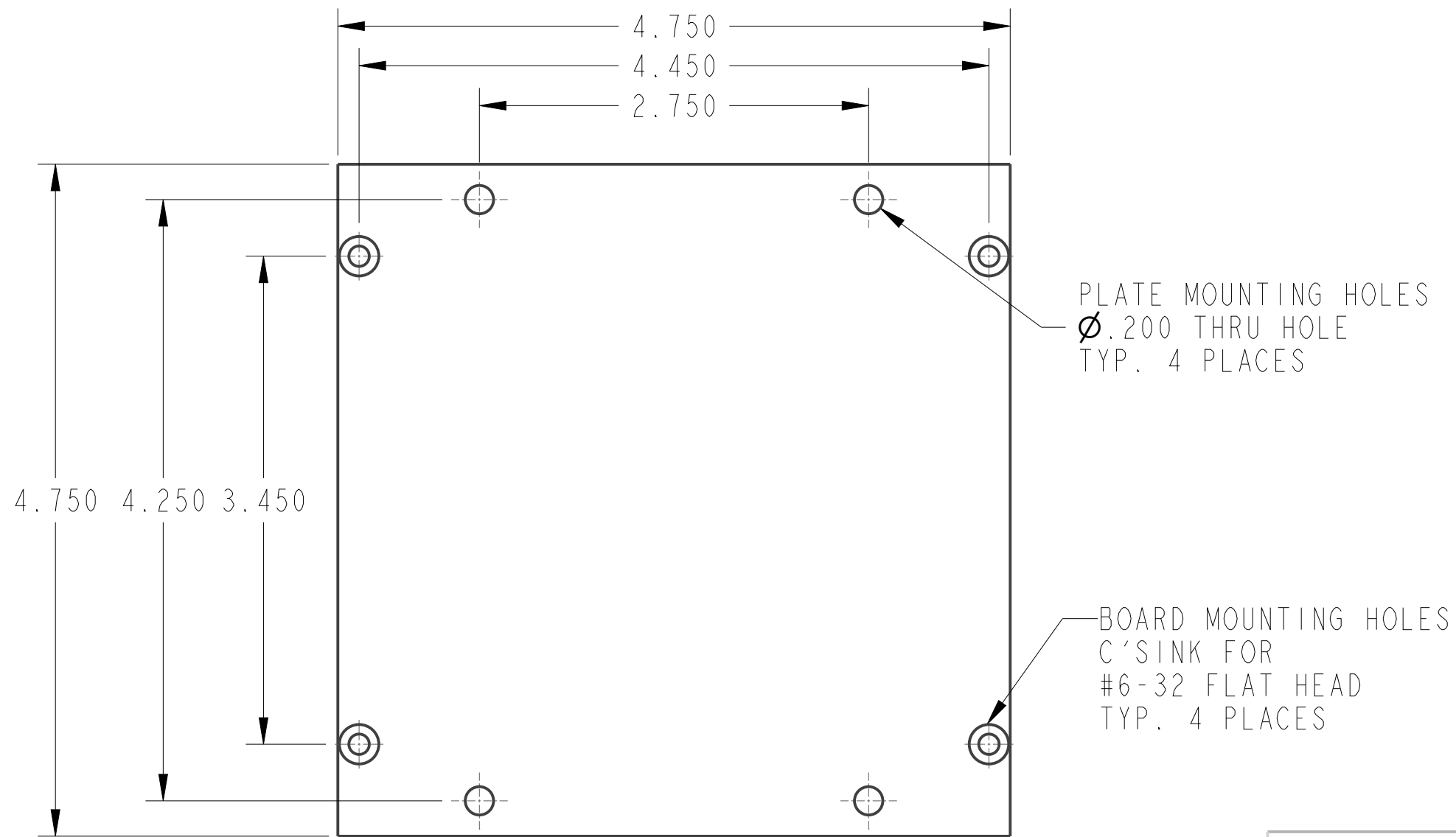


REV	DESCRIPTION	APPRV	DATE



CONFIDENTIAL INFORMATION

THE INFORMATION AND DATA CONTAINED HEREIN IS PROPRIETARY AND IS SUBMITTED IN CONFIDENCE, AND SHALL NOT BE DISCLOSED, USED OR DUPLICATED FOR ANY PURPOSE WHATSOEVER WITHOUT THE PRIOR WRITTEN PERMISSION OF SONICS AND MATERIALS INC., NEWTOWN CT. THIS LEGEND SHALL BE MARKED ON ANY REPRODUCTIONS HEREOF IN WHOLE OR IN PART. RECEIPT OF THIS DOCUMENT SHALL BE DEEMED TO BE AN ACCEPTANCE OF THE CONDITIONS SPECIFIED HEREIN.

VERSION	1.1
FILE LOCATION	

TOLERANCES	
DECIMAL	FRACTIONAL
.X=±.030	± 1/64
.XX=±.015	ANGULAR
.XXX=±.005	±1/2°

SIZE	DRAWING NUMBER	REV
B	KITVC544522	
SHEET 1 OF 1		



**KIT VC 544/522
MOUNTING PLATE**

DRAWN BY AHR	DATE 3/11/22	LIFECYCLE
LEGACY DWG NO.	SCALE 1:000	MATERIAL ALUM