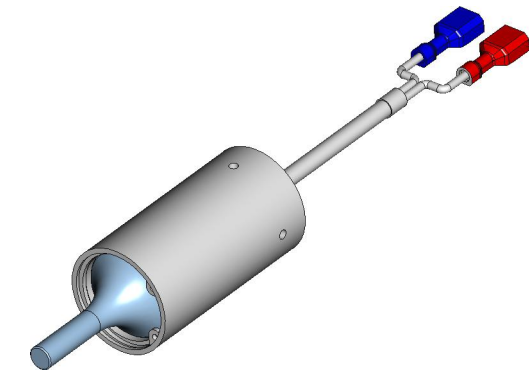
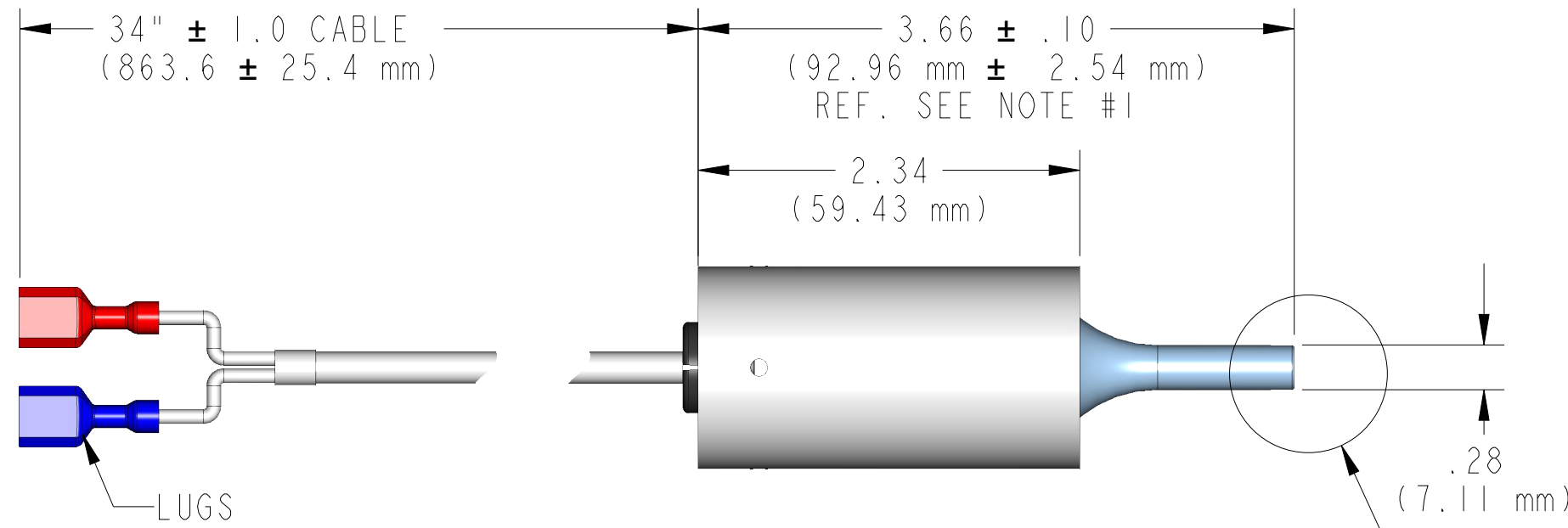
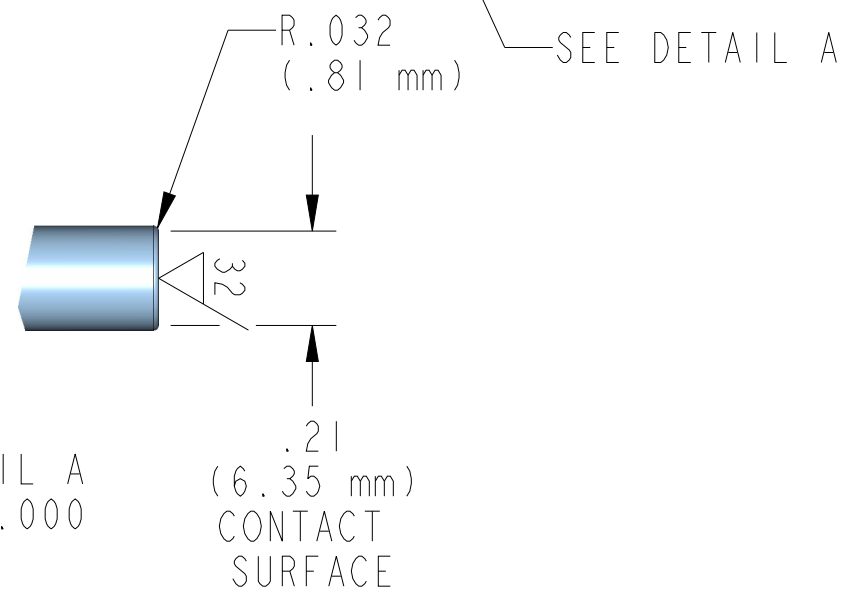
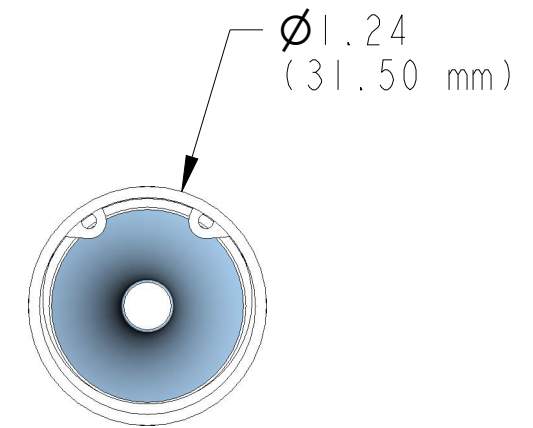


REV	DESCRIPTION	APPRV	DATE
A	ADDED MILLIMETER DIMENSIONS	AR	3/4/2023



SCALE 0.500



DETAIL A
SCALE 2.000

NOTES:
1. REF DIMENSION ONLY. FINAL DIMENSION IS BASED ON CONVERTER TUNING, CONSULT SONICS FOR FURTHER INFORMATION.

CONFIDENTIAL INFORMATION

THE INFORMATION AND DATA CONTAINED HEREIN IS PROPRIETARY AND IS SUBMITTED IN CONFIDENCE, AND SHALL NOT BE DISCLOSED, USED OR DUPLICATED FOR ANY PURPOSE WHATSOEVER WITH THE PRIOR WRITTEN PERMISSION OF SONICS AND MATERIALS INC., NEWTOWN CT. THIS LEGEND SHALL BE MARKED ON ANY REPRODUCTIONS HEREOF IN WHOLE OR IN PART. RECEIPT OF THIS DOCUMENT SHALL BE DEEMED TO BE AN ACCEPTANCE OF OF THE CONDITIONS SPECIFIED HEREIN.

VERSION	
FILE LOCATION	

TOLERANCES		SIZE	DRAWING NUMBER	REV
DECIMAL	FRACTIONAL	B	CV00301_REVA	A
.X=±.030	± 1/64			
.XX=±.015	ANGULAR			
.XXX=±.005	±1/2°			
			SHEET 1 OF 1	

SONICS 53 CHURCH HILL RD.
NEWTOWN, CT 06470

CV301 CONVERTER, 40 KHZ

DRAWN BY SV	DATE 8/21/2020	LIFECYCLE NA
LEGACY DWG NO. NA	SCALE	MATERIAL NA