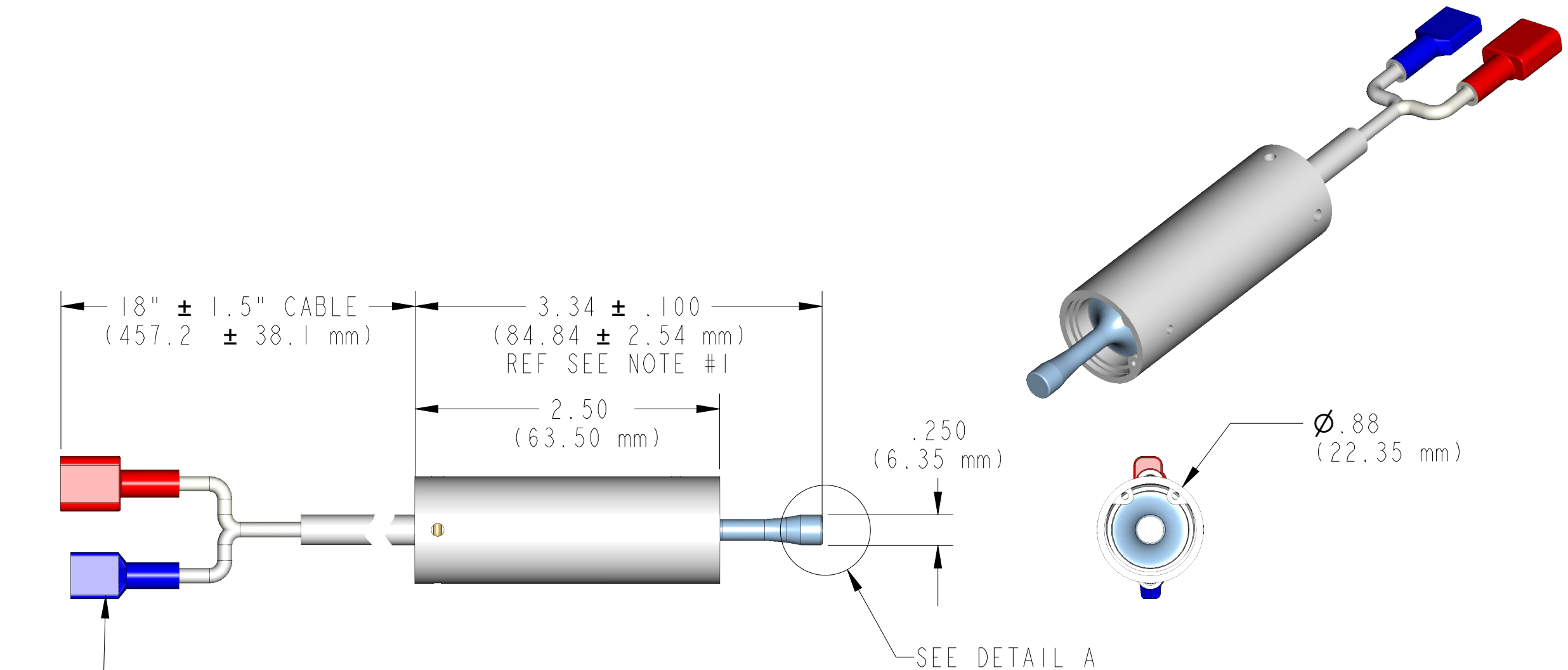


REV	DESCRIPTION	APPRV	DATE
A	ADDED DETAIL "A"	AR	5/17/23

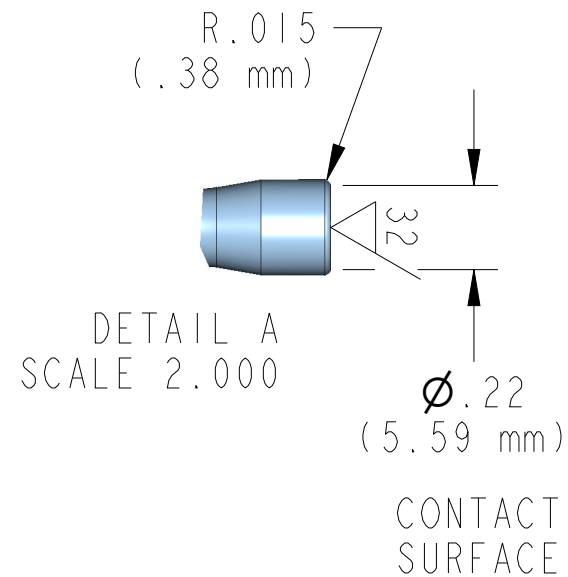



NOTES:  
 1. REF DIMENSION ONLY. FINAL DIMENSION IS BASED ON CONVERTER TUNING, CONSULT SONICS FOR FURTHER INFORMATION.

CONFIDENTIAL INFORMATION

THE INFORMATION AND DATA CONTAINED HEREIN IS PROPRIETARY AND IS SUBMITTED IN CONFIDENCE, AND SHALL NOT BE DISCLOSED, USED OR DUPLICATED FOR ANY PURPOSE WHATSOEVER WITH THE PRIOR WRITTEN PERMISSION OF SONICS AND MATERIALS INC., NEWTOWN CT. THIS LEGEND SHALL BE MARKED ON ANY REPRODUCTIONS HEREOF IN WHOLE OR IN PART. RECEIPT OF THIS DOCUMENT SHALL BE DEEMED TO BE AN ACCEPTANCE OF OF THE CONDITIONS SPECIFIED HEREIN.

VERSION	.0
FILE LOCATION	



 <b>SONICS</b>		53 CHURCH HILL RD. NEWTOWN, CT 06470	
<b>CV412 CONVERTER, 40 KHZ</b>			
DRAWN BY SV	DATE 3/2/2023	LIFECYCLE NA	
LEGACY DWG NO. NA	SCALE 1.000	MATERIAL NA	
<b>TOLEANCES</b> DECIMAL .X=±.030 .XX=±.015 .XXX=±.005		FRACTIONAL ± 1/64 ANGULAR ±1/2°	SIZE <b>B</b>
DRAWING NUMBER CV00412		REV -	SHEET 1 OF 1