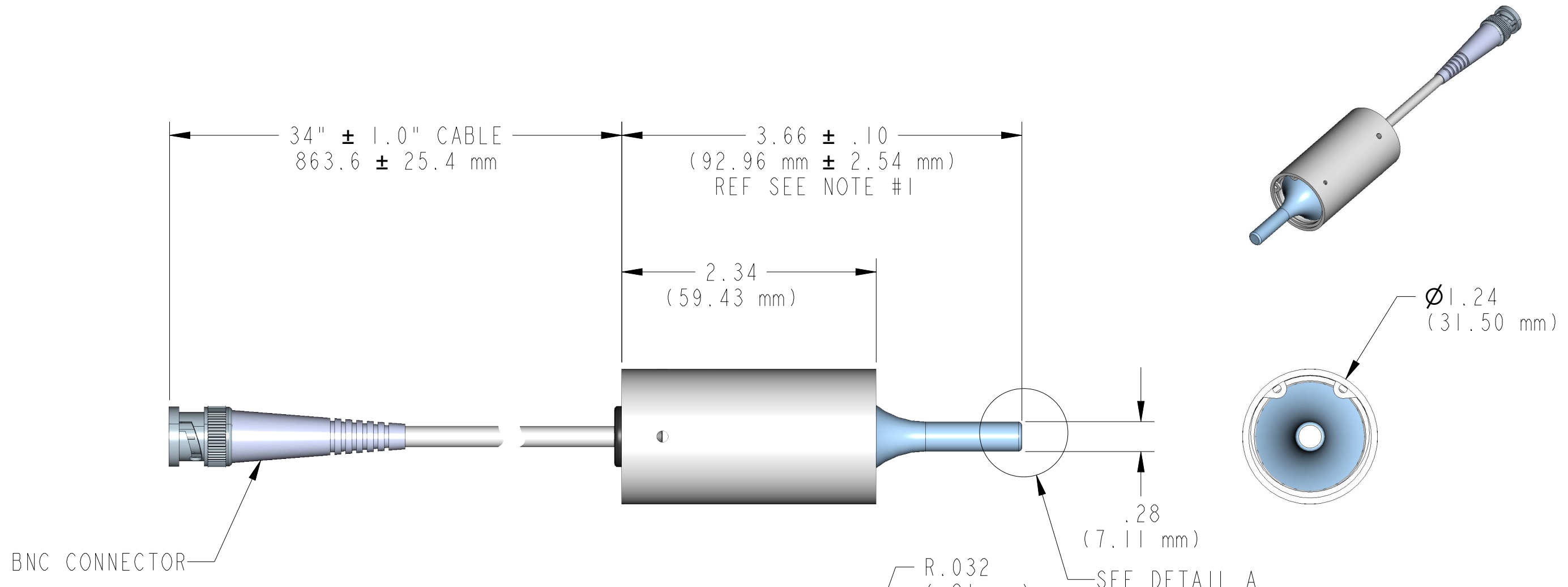


| REV | DESCRIPTION | APPRV | DATE |
|-----|-----------------------------|-------|---------|
| A | ADDED MILLIMETER DIMENSIONS | AR | 3/15/23 |



NOTES:
1. REF DIMENSION ONLY. FINAL DIMENSION IS BASED ON CONVERTER TUNING, CONSULT SONICS FOR FURTHER INFORMATION.

DETAIL A
SCALE 2.000

CONFIDENTIAL INFORMATION

THE INFORMATION AND DATA CONTAINED HEREIN IS PROPRIETARY AND IS SUBMITTED IN CONFIDENCE, AND SHALL NOT BE DISCLOSED, USED OR DUPLICATED FOR ANY PURPOSE WHATSOEVER WITH THE PRIOR WRITTEN PERMISSION OF SONICS AND MATERIALS INC., NEWTOWN CT. THIS LEGEND SHALL BE MARKED ON ANY REPRODUCTIONS HEREOF IN WHOLE OR IN PART. RECEIPT OF THIS DOCUMENT SHALL BE DEEMED TO BE AN ACCEPTANCE OF THE CONDITIONS SPECIFIED HEREIN.

| | | | |
|--|-----------------|--|-------------------------|
| | | 53 CHURCH HILL RD. NEWTOWN, CT 06470 | |
| CV307 CONVERTER, 40 KHZ | | | |
| DRAWN BY SV | DATE 5/19/23 | LIFECYCLE Design | |
| LEGACY DWG NO. NA | SCALE 1.000 | MATERIAL NA | |
| <p style="text-align: center;">TOLEANCES</p> <p>DECIMAL .X=±.030 FRACTIONAL ± 1/64 .XX=±.015 ANGULAR ±1/2° .XXX=±.005</p> | | <p>SIZE B</p> <p>DRAWING NUMBER CV00307-REVA</p> | <p>REV A</p> |
| <p>VERSION B.5</p> <p>FILE LOCATION /Products/Converters</p> | | SHEET 2 OF 2 | |