



**SONICS**<sup>®</sup>  
SONICS & MATERIALS, INC.

#### POWER

40 kHz — 800 Watts power

#### FEATURES

- Rack and pinion jaw system
- Opposing force center position
- 360 degree adjustable converter/booster/horn

#### MODELS

T40M - bench-top system

T40A - power head actuator

#### BENEFITS:

- Microprocessor Controlled
- Strength of tube seal not compromised by presence of contaminants like ink, dye, powder, emulsion, etc.
- Minimal extrusion of excess plastic and/or laminate tube material.
- Tube materials need not be pre-heated.
- Cost saving on-demand energy usage vs. continuous energy.
- Seal strengths attainable to 100% of the parent material.
- Instantaneous solidification of bonded material.
- Optional product coding available

## Models T40M • T40A

# 40 kHz Ultrasonic Plastic Tube Sealing System



### Model T40M Tube Sealer with GXE Power Supply

**Leaders in the field of ultrasonic plastics welding equipment and technology since 1969, Sonics & Materials, Inc. offers two 40 kHz Tube Sealers.**

Sonics & Materials' 40 kHz ULTRASONIC TUBE SEALERS offer fast, clean and repeatable sealing of plastic or laminated collapsible squeeze tubes in a single step process. Two 40 kHz models are available: Model T40M, a bench top system for operator load and unload, and Model T40A, a power head actuator for automated in-line production systems.

Ultrasonic welding, or sealing, is a process that combines high frequency mechanical vibrations and pressure. This combination of mechanical action and force creates friction that generates heat to instantaneously melt and fuse the plastic tube.

Our ultrasonic tube sealers accommodate the wide variety of tube materials used in automotive, hardware, pharmaceutical, food, cosmetics, medical and scientific applications. For example, suitable materials include butyrate, cellulose, nylon, polyester, polyethylene, polypropylene, PVC and other laminated materials.

for more information: 1-800-745-1105 [www.sonics.com](http://www.sonics.com)

Innovating  
since

1969

## GX-Series Ultrasonic Power Supply Specifications



**Model GXT** weld by digital time

**Model GXE** weld by digital time and/or constant energy

**Model GXL** weld by digital time, constant energy and/or distance\*

\*Requires optional linear encoder

**Model GXC** external control of the ultrasonics on/off and amplitude functions

### New Features:

- Digital Amplitude Control
- Ultrasonic Horn/Stack Frequency Display
- Good Part/Bad Part Output Signal
- 30% smaller footprint

### Specifications:

**Power Output** - 800 Watts

**Input Voltage** - 220 VAC nominal  
(120 VAC optional)

**Dimensions** - 6.50" (165.1 mm) High  
x 15.25" (387.3 mm) Wide  
x 17.00" (431.8 mm) Deep

**Weight** - 21 lbs. (9.5 kg)

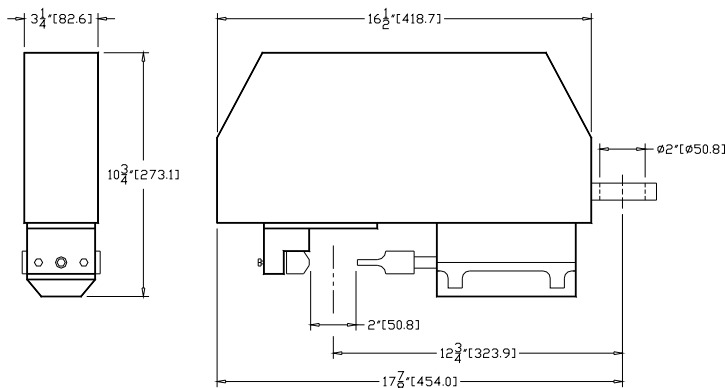
### Other Standard Features:

- Automatic Frequency Tuning
- Multiple Job Storage
- Digital Force Triggering
- Calibration Pulse Prior to Every Weld Cycle
- Back-Lit LCD Display
- Ultrasonics Load Meter Scale
- Upper and Lower Weld Limit Settings
- RS232 Serial Port Printer Output
- Optional PLC I/O (Input/Output) Ports
- Soft Start Overload Protection Circuitry
- Load Regulation Circuitry
- Optional Linear Encoder for Distance Welding (distance mode settings in English or metric units)

### Also Available!

Ultrasonic kits – ideal for OEM systems integrators and machinery builders.

## Model T40A Power Head Actuator Specifications and Dimensional Data



### Typical Serrated Anvil Patterns



**SONICS®**

© 2015 Sonics & Materials, Inc.

**WEIGHT:** Model T40A – 25 lbs. (55.1 kg.)  
Model T40M – 75 lbs. (165.3 kg.)

**AIR CYLINDER:** 2-1/2" (63.5 mm) x 2" (50.8 mm) Stroke

**SEALING PRESSURE RANGE:** 0 to 100 PSI

Specifications subject to change without notice.

Not responsible for typographical errors.

Printed in U.S.A.  
.5C/10/15

Registered by UL to ISO 9001



Sonics & Materials,